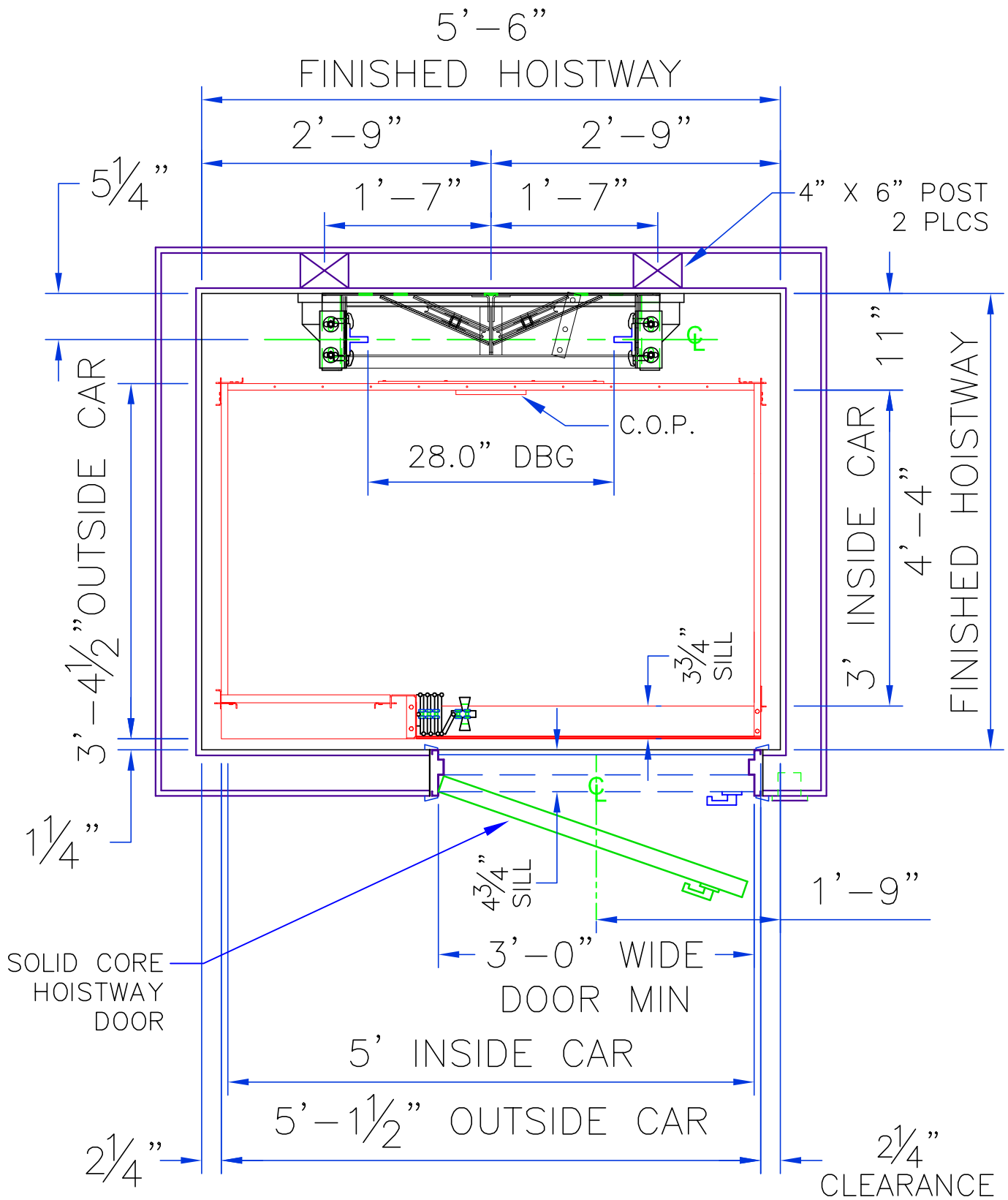


PLAN VIEW

SCALE: 3/4" = 1'-0"



SunCoast
Elevator Company



TYPE 5 - 36x60 - RH

Copyright